

CX15EV



**MINI EXCAVATORS**  
***ELECTRIC VEHICLE***



Electric miniexcavator  
Engine power 16.0 kW  
Operating weight 1315 kg

# SPECIFICATIONS

## CX15EV

### ENGINE

Type \_\_\_\_\_ Internal Permanent Magnets (IPM)  
 Max. Power (2800 rpm) (kW) \_\_\_\_\_ 16.0  
 Supply \_\_\_\_\_ three-phase alternating current

### SUPPLY

Battery chemistry \_\_\_\_\_ lithium-ion  
 Gross capacity (kWh) \_\_\_\_\_ 21.5  
 Nominal voltage of the system (V) \_\_\_\_\_ 102  
 Autonomy according to the operating mode (h) \_\_\_\_\_ 4 ÷ 8

### CHARGING TIMES

On-board charger 220V (h) \_\_\_\_\_ 10  
 External three-phase rapid charge 380V (Optional) (h) \_\_\_\_\_ 1,0 (80%) - 1,5 (100%)

### SLEWING & TRAVEL SPEED

Travelling speed (AUTO TWO SPEED) (km/h) \_\_\_\_\_ 1<sup>st</sup> : 0 ÷ 1.8 / 2<sup>nd</sup> : 0 ÷ 3.8  
 Slew speed (rpm) \_\_\_\_\_ 9.5

### OPERATING MODES

|          | ECO  | STD  | PWR  |
|----------|------|------|------|
| Max. rpm | 2400 | 2600 | 2800 |

### HYDRAULIC SYSTEM

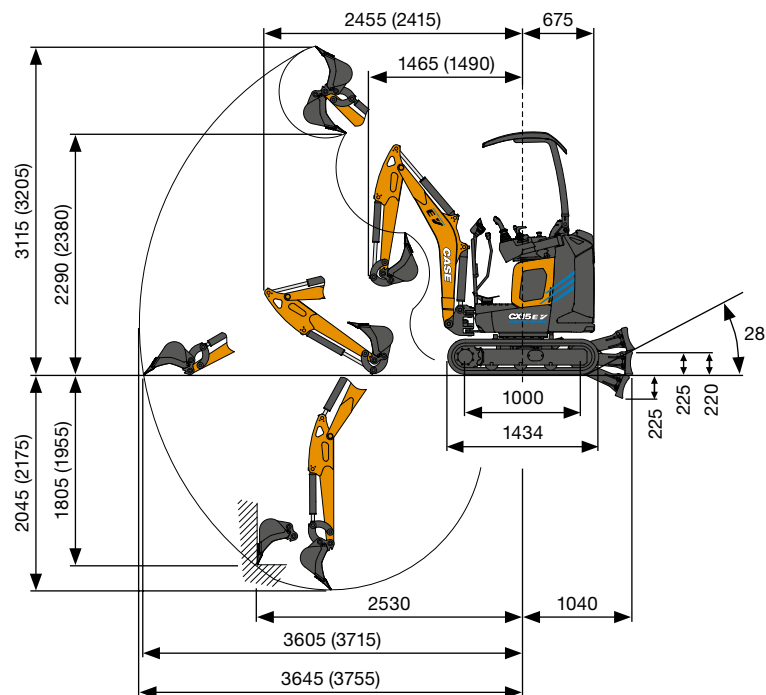
Control valve \_\_\_\_\_ Load Sensing Flow Sharing  
 Hydraulic system capacity (l) \_\_\_\_\_ 15  
 Pump type \_\_\_\_\_ 1 low-noise helical gear pump  
 Pump displacement (cm<sup>3</sup>) \_\_\_\_\_ 10.1  
 Pump flow rate (l/min) \_\_\_\_\_ 28  
 Max. circuit calibration pressure (bar) \_\_\_\_\_ 180  
 Auxiliary system (max pressure):  
 AUX 1 single or double effect (l/min) \_\_\_\_\_ 28 - 180 bar  
 AUX 2 - optional (l/min) \_\_\_\_\_ 10 - 180 bar

### CONTROLS

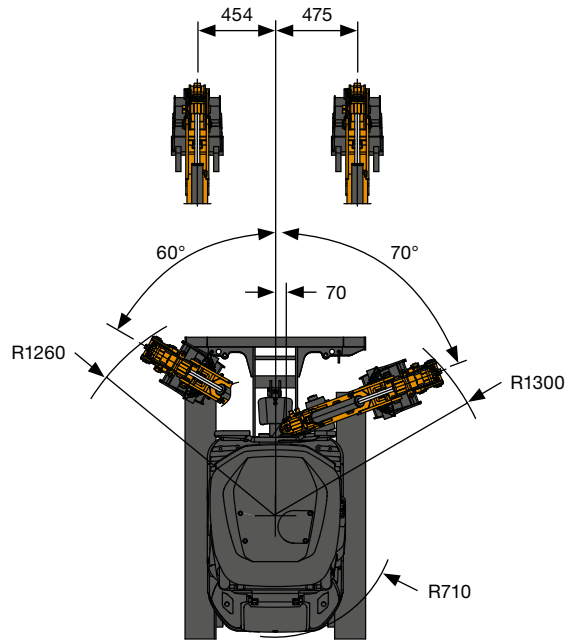
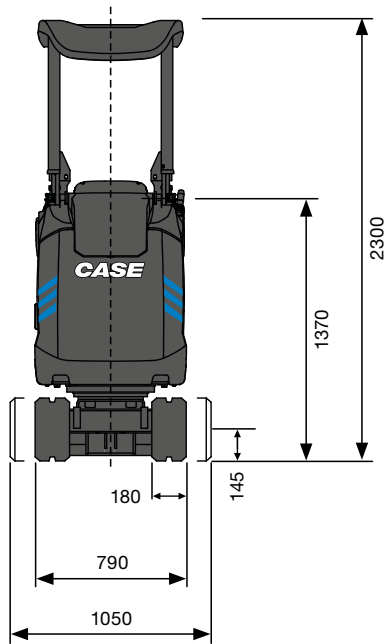
Boom, dipper stick, bucket and turret swing \_\_\_\_\_ 2 electro-proportional joysticks  
 Track movements (included counter rotation) \_\_\_\_\_ 2 electro-proportional levers  
 Dozer blade \_\_\_\_\_ electro-proportional lever  
 Auxiliary system AUX 1 (single or double effect) \_\_\_\_\_ electroproportional switch on right joystick  
 Boom swing \_\_\_\_\_ electroproportional switch on left joystick

### OPERATING WEIGHT

Weight with canopy (kg) \_\_\_\_\_ 1315  
 Operating weight with canopy and ABS roof (kg) \_\_\_\_\_ 1340



| PERFORMANCE DATA                               |                    | Std. Arm<br>1020 mm | Opt. Arm<br>1150 mm |
|--|--------------------|---------------------|---------------------|
| Max. digging depth                             | mm                 | 2045                | 2175                |
| Max. dumping height                            | mm                 | 2290                | 2380                |
| Bucket breaking force                          | daN                |                     | 1150                |
| Arm breaking force ISO 6015                    | daN                |                     | 630                 |
| Traction force                                 | daN                |                     | 1000                |
| Ground bearing pressure with canopy (ABS roof) | kg/cm <sup>2</sup> |                     | 0.31 (0.32)         |
| 2 Max. slope                                   |                    |                     | 60% - 30°           |



#### GENERAL DIMENSIONS

|  |    |             |
|--|----|-------------|
| Maximum width                          | mm | 790 - 1050  |
| Total height                           | mm | 2300        |
| Tracks width                           | mm | 180         |
| Rear rotation radius                   | mm | 710         |
| Digging arm length standard (optional) | mm | 1020 (1150) |
| Rollers number (for each side)         | n° | 3           |

## LIFTING CAPACITY

### CX15EV

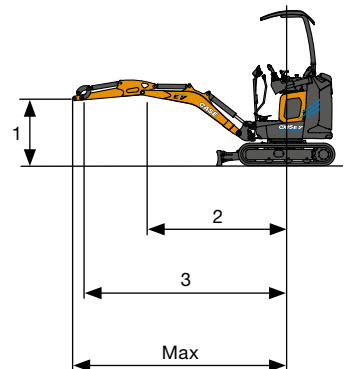
Standard dipper stick L = 1020 mm  
(Optional dipper stick L = 1150 mm)

Opening arm from the rotation's center (m)  
Lifting capacity (kg) at 1.0 m height

| LIFTING CAPACITY                | 2    | 3    | Max  |
|---------------------------------|------|------|------|
| Frontal and lowered dozer blade | 330* | 240* | 230* |
| Frontal and lifted dozer blade  | 330* | 190  | 170  |
| Lateral, open undercarriage     | 240  | 120  | 120  |

\* Indicates the hydraulic load limit.

The lifting capacity is based on the ISO 10567 and it does not exceed more than the 75% of static tipping load or more than the 87% of the hydraulic lifting capacity of the machine.



# STANDARD AND OPTIONS

## STANDARD EQUIPMENT

- + Tiltable Roll-bar (ROPS/TOPS)
- + Vinyl seat with Mechanical suspension (canopy)
- + Standard arm
- + Boom Lift cylinder and dozer blade cylinder protection
- + Standard counterweight
- + Servo-assisted hydraulic joysticks with Electro-Hydraulic proportional controls
- + Electro-Hydraulic proportional Swing control
- + 1<sup>st</sup> Auxiliary (AUX1) circuit with Electro-Hydraulic proportional control
- + 2 speed travel with Automatic Shift Down (from 2<sup>nd</sup> to 1<sup>st</sup> gear if more traction is required) and Shift-up
- + Rubber tracks
- + Standard Dozer Blade
- + Extendable undercarriage
- + Operator manual
- + Documents box and Tool kit for maintenance
- + Ignition key, which opens every machine lock
- + Standard LED working lights (boom)
- + Helical Gear Pump
- + Bio Hydraulic oil and Lubricants
- + Electronic Display and controls
- + 3 pre-set Control modes
- + Electronic flow setting for every modevement and auxiliary circuits
- + On-board battery charger (220 VAC)

## OPTIONAL EQUIPMENT

- + Roll-bar plastic cover (FOPS Level 1)
- + Travel alarm
- + Long arm
- + 2<sup>nd</sup> Auxiliary (AUX2) circuit with Electro-Hydraulic proportional control
- + Extra LED working lights (roof)
- + Rotating beacon
- + Case Sitewatch
- + Portable Fast-Charger (380 VAC)
- + Mechanical quick couplers
- + Buckets

## CASE AFTERMARKET SOLUTIONS

- + Arm cylinder and bucket cylinder protection
- + Pattern change ISO-SAE
- + Vast variety of attachments
- + Full range of Mechanical and Hydraulic quick couplers
- + Full range of Buckets

**CNH Industrial**  
Deutschland GmbH  
Case Baumaschinen  
Benzstr. 1-3 - D-74076 Heilbronn  
DEUTSCHLAND

**CNH Industrial**  
Maquinaria Spain, S.A.  
Avenida Aragón 402  
28022 Madrid - ESPAÑA

**CNH Industrial France, S.A.**  
16-18 Rue des Rochettes  
91150 Morigny-Champigny  
FRANCE

**CNH Industrial Italia Spa**  
via Plava, 80  
10135 Torino  
ITALIA

**CASE Construction Equipment**  
Cranes Farm Rd  
Basildon - SS14 3AD  
UNITED KINGDOM

NOTE: Standard and optional fittings can vary according to the demands and specific regulations of each country. The illustrations may include optional rather than standard fittings - consult your Case dealer. Furthermore, CNH Industrial reserves the right to modify machine specifications without incurring any obligation relating to such changes.

Conforms to directive 2006/42/EC

**CASECE.COM**  
**00800-2273-7373**

The call is free from a land line.  
Check in advance with your Mobile Operator if you will be charged. Toll free number not available from all calling areas.